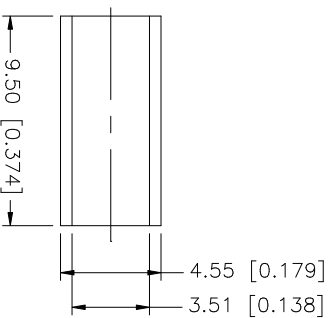
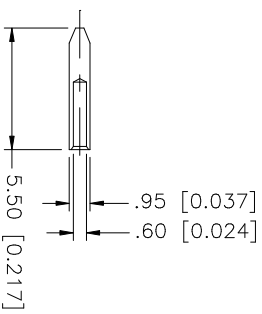
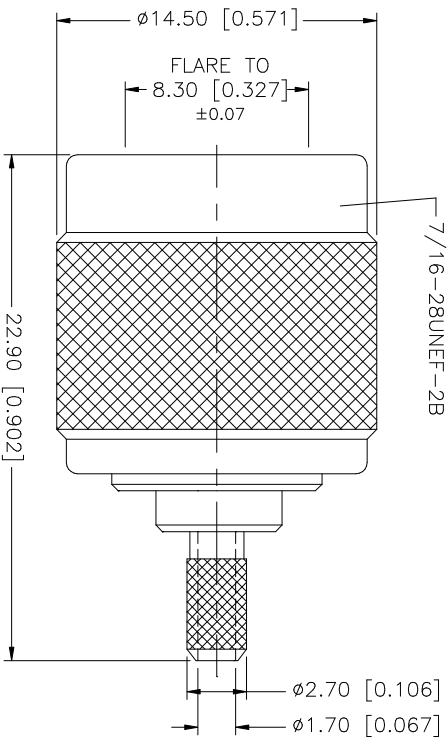
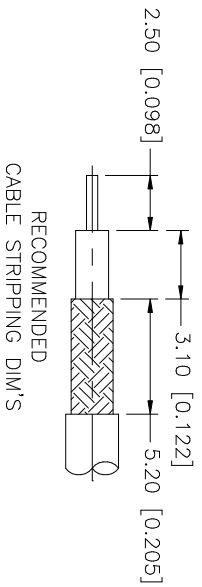


REV.	DATE	DESCRIPTION
A	12/01/99	UPDATE DRAWING ADD DOUBLE BRAID
B	05/23/03	UPDATE DRAWING FORMAT / MODIFY FERRULE



- NOTES:
1. CRIMPED FERRULE
HEX SIZE .151"
 2. CRIMPED CONTACT PIN
SQ. CRIMP SIZE 0.7mm

NO.	DESCRIPTION	MATERIAL	FINISH	QTY	DO NOT SCALE DRAWING	APPROVALS	DATE	PART DESCRIPTION			
8								Amphenol Connex TNC CRIMP PLUG – DOUBLE BRAID (RG-174/U, 188A/U, 316/U CABLE)			
7											
6											
5	CONTACT PIN	BRASS	GOLD	1							
4	FERRULE	COPPER	NICKEL	1							
3	CONTACT PIN	PHOS. BRONZE	GOLD	1							
2	INSULATOR	DELRIIN	NATURAL	1							
1	BODY	BRASS	NICKEL	1							
UNLESS OTHERWISE SPECIFIED DIMENSIONS ARE IN MILLIMETERS. DIMENSIONS IN [] ARE IN INCHES AND FOR CUSTOMER REFERENCE ONLY. TOLERANCES FOR MILLIMETERS ARE: 0.5 – 8mm ± 0.20mm 8 – 30mm ± 0.40mm 30 – 120mm ± 0.50mm UNLESS OTHERWISE SPECIFIED TOLERANCES FOR INCHES ARE: .020 – .315 = ± 0.007" .315 – 1.180 = ± 0.015" 1.180 – 4.724 = ± 0.020"						CAD FILE C:/122/122375.DWG		DWG. NO. 122375.DWG	REV. B	SIZE A	SCALE NA